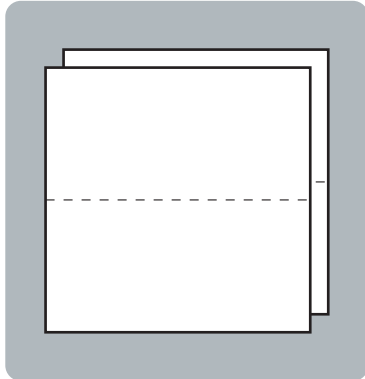




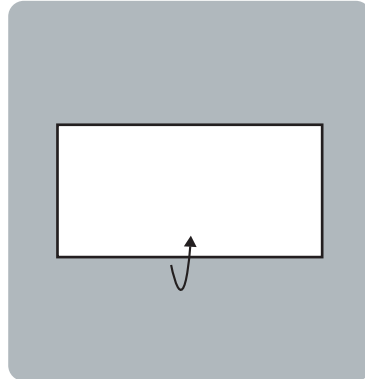
A PROUD
BRAND OF



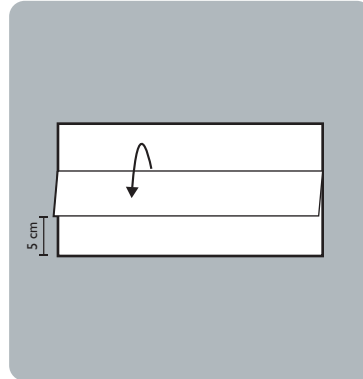
DECORATE THE TABLE DIAGONAL



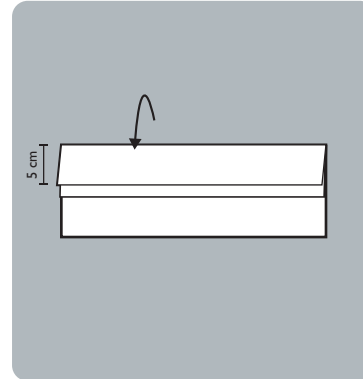
Step 1: Start with two flat, open Dinu napkins on top of each other, design sides facing out.



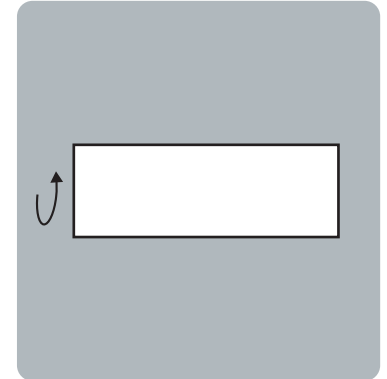
Step 2: Fold the bottom edges up to the top edges forming a horizontal rectangle.



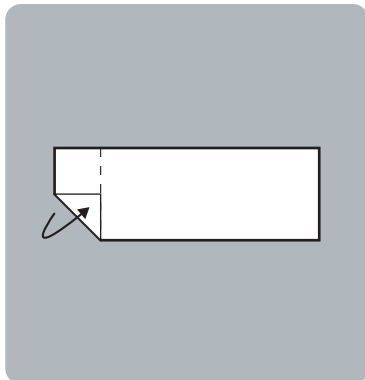
Step 3: Fold the top layers of the upper edges back down, leaving a 5 cm space below the edges.



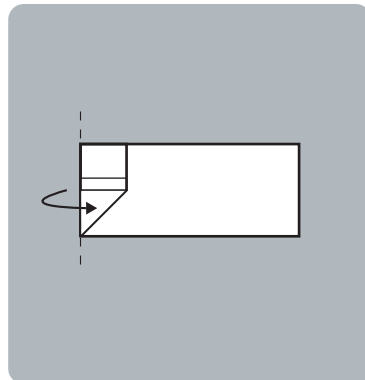
Step 4: Fold the lower layers from the top edges down and over the newly folded edges.



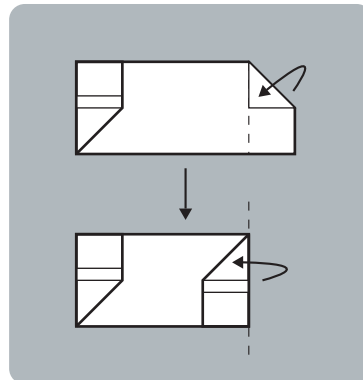
Step 5: Flip the napkins over so the bottom edge is at the top.



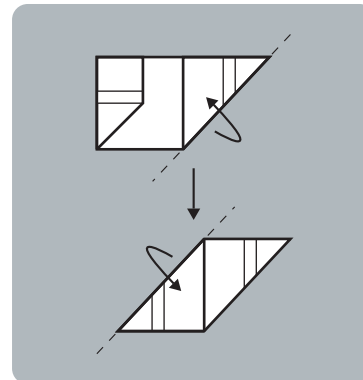
Step 6: Fold the lower left corner up to the midpoint of the rectangle.



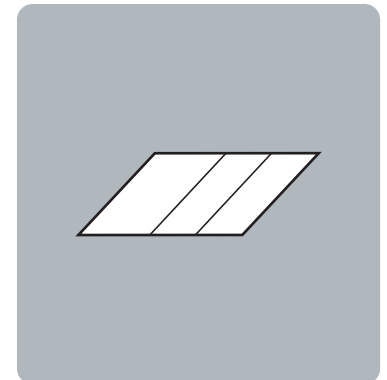
Step 7: Fold the left edge over toward the right, using the right edge of the triangle as a guide.



Step 8: Repeat steps 6 and 7 on the top right corner.



Step 9: Fold the bottom right corner up to the top edge and repeat for the top left corner.



Step 10: Flip the napkins over and arrange horizontally.