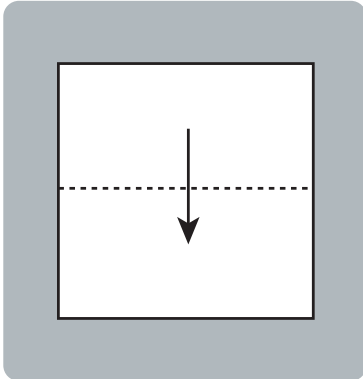




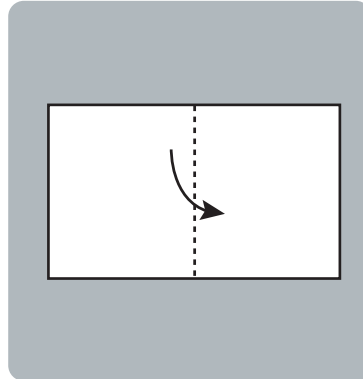
A PROUD
BRAND OF



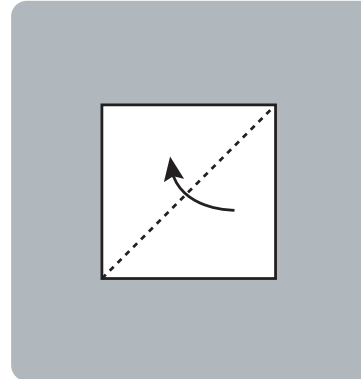
DECORATE THE TABLE DIAMOND



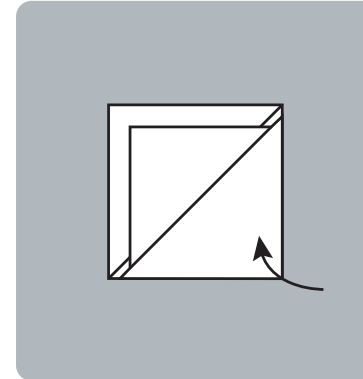
Step 1: Fold the open napkin in half so that the open edges are at the bottom.



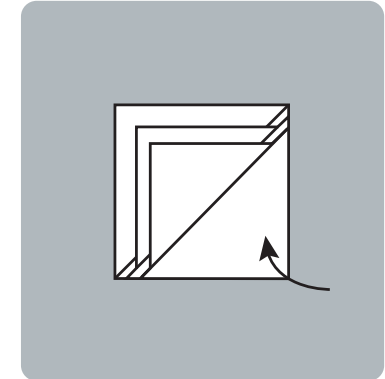
Step 2: Fold the napkin into a square so that the open edges are on the right.



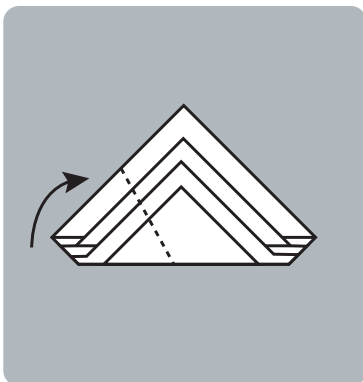
Step 3: Fold the top layer in half diagonally - up and to the left.



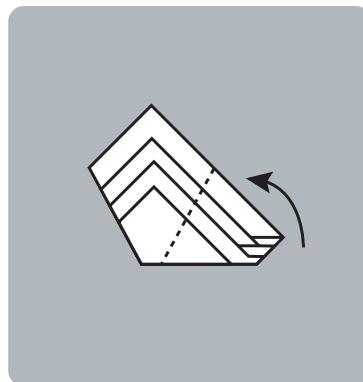
Step 4: Repeat for the next layer, leaving a 1.5 cm space.



Step 5: Repeat until all the layers have been folded up.



Step 6: Rotate napkin so that the point faces up. Fold the left side underneath.



Step 7: Fold the right side underneath.

