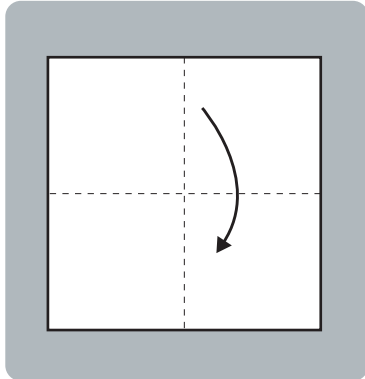




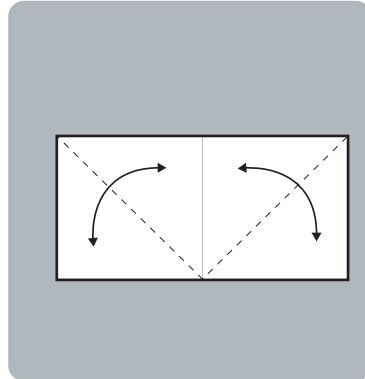
A PROUD  
BRAND OF



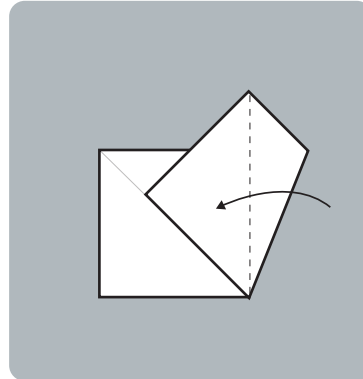
## DECORATE THE TABLE SWIMSUIT



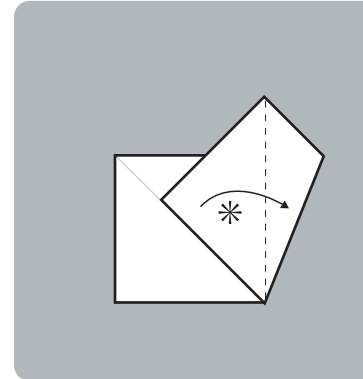
Step 1: Start with open napkin. Fold in half to make a rectangle, open side facing down.



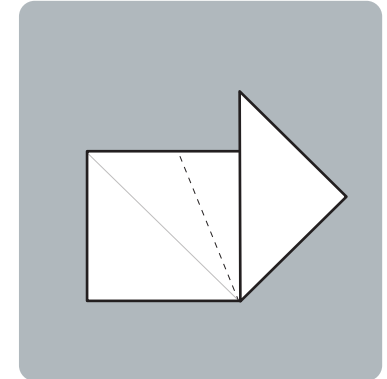
Step 2: Fold to make crease and fold back.



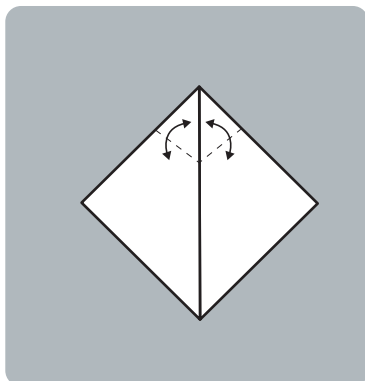
Step 3: Fold right side to meet crease on the left.



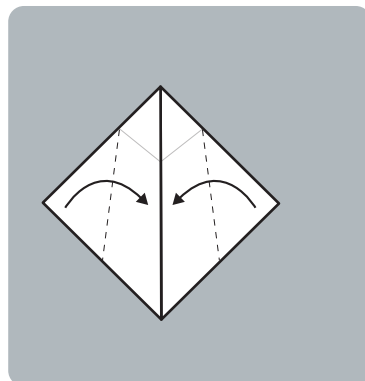
Step 4: Fold the \* flap towards the right.



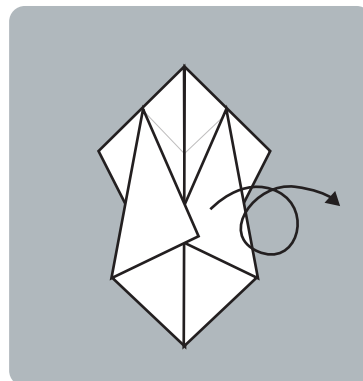
Step 5: Repeat steps 3 & 4 on the left side of the napkin.



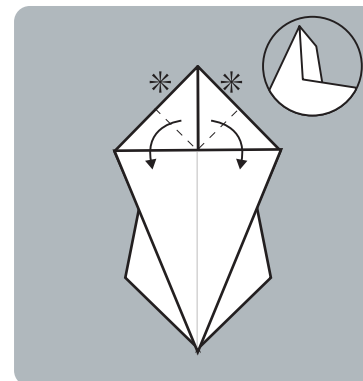
Step 6: Fold down to make a crease and fold back up.



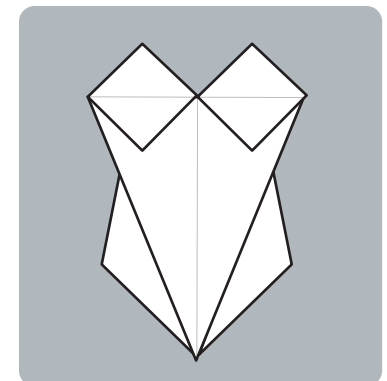
Step 7: Fold left and right flaps on the dotted line.



Step 8: Turn over.



Step 9: Open \* and flatten. Do this on both sides.



Step 10: Flatten edges neatly to complete the napkin fold.